

INSTALLATION INSTRUCTIONS  
INSTRUCTIONS D'INSTALLATION

## IMPORTANT SAFEGUARDS

**WARNING** - Risk of fire or electric shock. Disconnect power at fuse or circuit breaker before installing or servicing.

### READ AND FOLLOW ALL SAFETY INSTRUCTIONS

- 1. WARNING – Risk of fire or electric shock. LED Upgrade Kit installation requires knowledge of luminaire electrical systems. If not qualified, do not attempt installation. Product must be installed in accordance with NEC or your local electrical code. If you are not familiar with these codes and requirements, contact a qualified electrician.**

*ATTENTION- Risque d'incendie ou de choc électrique. L'installation du kit upgrade LED exige la connaissance des systèmes électriques pour luminaires. Si non qualifié, ne tentez pas d'installation. Ce produit doit être installé conformément à NEC ou votre code électrique local. Si vous n'êtes pas familier avec ces codes et ces exigences, veuillez contacter un électricien qualifié.*

- 2. WARNING – Risk of fire or electric shock. Install this kit only in the luminaires that have the construction features and dimensions shown in the photographs and/or drawings where the input rating of the retrofit kit does not exceed the input rating of the luminaire.**

*ATTENTION - Risque d'incendie ou de choc électrique. Installez ce kit seulement dans les luminaires qui ont les caractéristiques de construction et les dimensions dans les photographies ou les dessins de la page suivante.*

- 3. WARNING – To prevent wiring damage or abrasion, do not expose wires to the edge of sheet metal or any other sharp objects.**

*ATTENTION - Pour éviter les dégâts de câblage par l'abrasion, ne pas mettre en contact les fils électriques avec des bords de tôle ou d'autres objets pointus.*

- 4. Do not make or alter any open holes in an enclosure of wiring or electrical components during kit installation.**

*Ne pas modifier ou faire de trous dans une boîte de câblage ou compartiment électrique lors de l'installation du kit.*

- 5. The retrofit assembly is accepted as a component of a luminaire where the suitability of the combination shall be determined by ul or authorities having jurisdiction**

*Le montage rétracté est considéré comme le composant d'un système lumineux incandescent où l'adaptation à la structure doit être déterminée par le csa ou les autorités en vigueur.*

- 6. SUITABLE FOR DAMP AND DRY LOCATIONS.**

*CONVIENT AUX EMPLACEMENTS HUMIDES. POUR EMPLACEMENTS SECS SEULEMENT*

- 7. SUITABLE FOR TYPE IC OR NON-IC LUMINAIRES.**

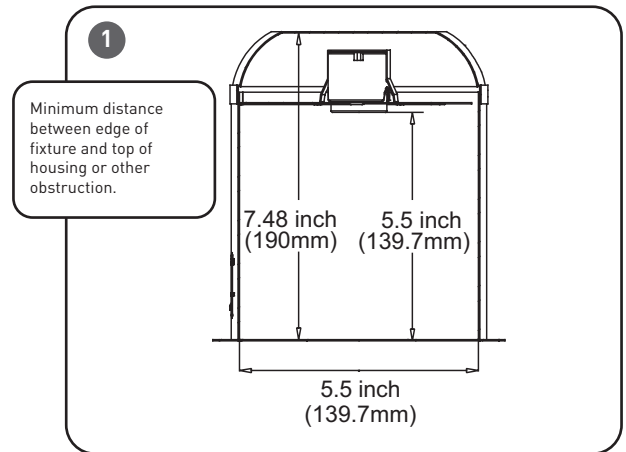
- 8. It may be necessary to remove a socket mounting plate for adequate clearance.**

- 9. Each lampholder shall be installed only in its intended manner and orientation.**

- 10. Suitable for installation in a recessed can with a maximum of eight (8) no. 12 Awg through-branch circuit conductors suitable for 75C min.**

- 11. MIN LAMP COMPARTMENT DIMENSIONS 5.5 inch/140 mm (DIA) x 7.4in/188mm (H).**

- 12. This device is not intended for use with emergency exit fixtures or emergency exit lights.**



### RECESSED HOUSING COMPATIBILITY

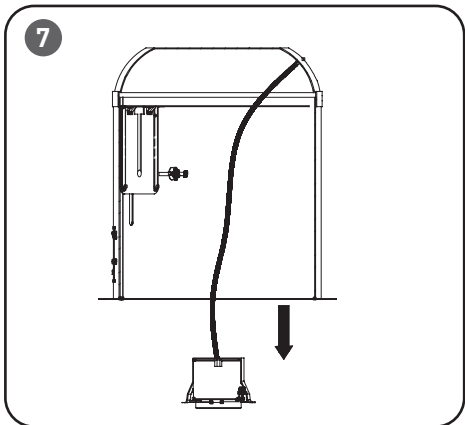
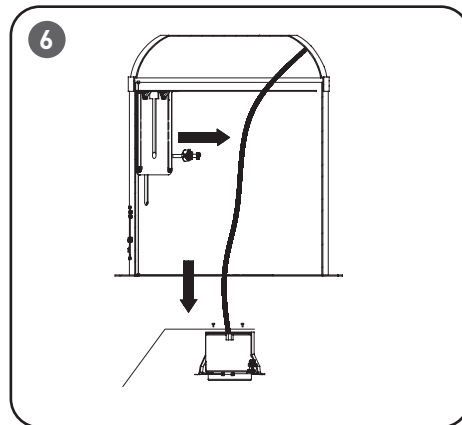
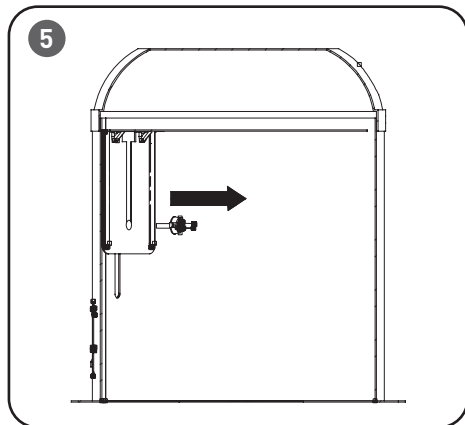
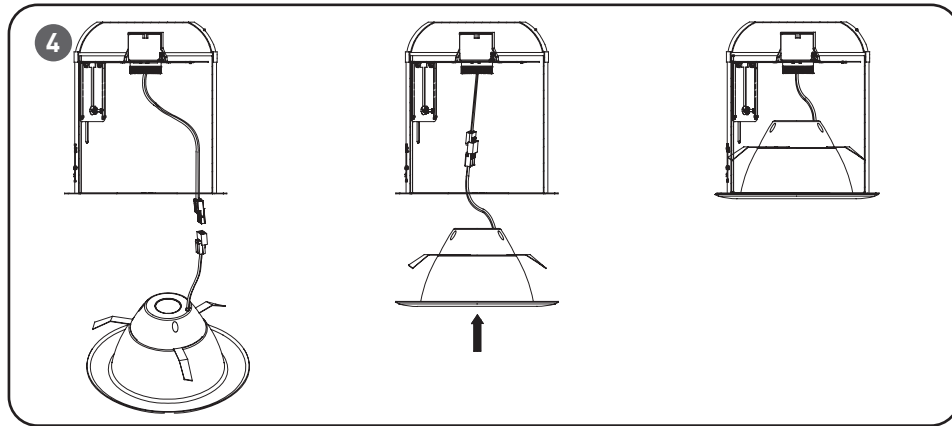
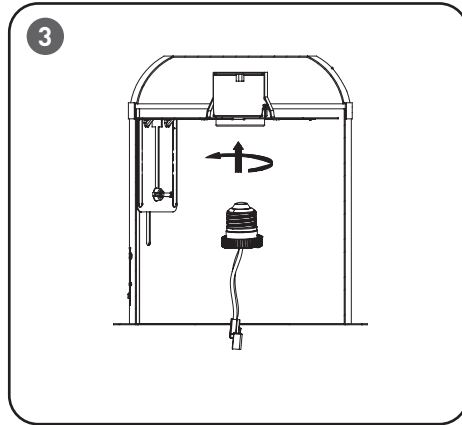
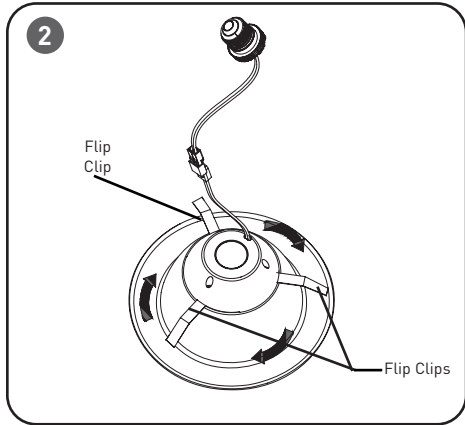
- Designed to install in standard 6in recessed downlight housings.
- Not Suitable for use with standard dimmers. Dimmable via App or Voice assistant.
- Compatibility of housings may be determined by measurement of the housing as detailed in the drawing above (**Figure 1**).

## SAVE THESE INSTRUCTIONS FOR FUTURE REFERENCE

### PACKAGE CONTENTS:

- 1 - 6" Retrofit Downlight
- 1 - Edison Socket Adapter

## TO INSTALL:



### STEP 1:

Carefully rotate the "Flip Clips" clockwise until the clips are fully-deployed. See **Figure 2**.

**NOTE:** For 5" recessed cans, it is recommended not to rotate the flip clips into the fully deployed position.

### STEP 2:

Make sure the **POWER IS TURNED OFF** at the source to the recessed can.

### STEP 3:

Remove existing trim and bulb, revealing the existing recessed socket.

### STEP 4:

Screw the fixture Edison base assembly into the recessed can socket by turning clockwise. See **Figure 3**.

### STEP 5:

Install fixture up into the recessed housing firmly until trim ring is flush with the ceiling. Rotate fixture clockwise slightly to tighten fit with ceiling and set in recessed housing. For best results, ensure "Flip Clips" are not aligned with metal trim clips inside of recessed housing during installation. See **Figure 3 and 4**.

### STEP 6:

If the trim ring is not flush with the ceiling, remove fixture by turning counterclockwise while pulling downward. Remove the fixture completely from the recessed can by turning the fixture Edison base counterclockwise.

### STEP 7:

Locate the recessed can socket and remove socket bracketry and/or socket plate to allow the socket to hang freely. See **Figures 5, 6 and 7**.

### STEP 8:

Screw in fixture Edison base back to the recessed can socket and reinstall fixture into the recessed can.

### STEP 9:

Download the free app by searching for Cree Lighting. Pair the luminaire with the app by following the on-screen steps in the app to connect. Follow the step-by-step on-screen instructions to automate your home.

## FCC

**CAUTION:** Changes or modifications not expressly approved could void your authority to use this equipment.

This device complies with part 15 of the FCC Rules. Operation is subject to the following two conditions: (1) This device may not cause harmful interference, and (2) this device must accept any interference received, including interference that may cause undesired operation.

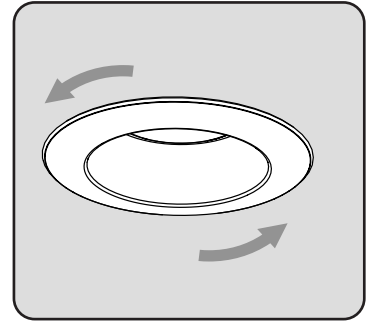
Changes or modifications not expressly approved could void your authority to use this equipment. This equipment has been tested and found to comply with the limits for a Class B digital device, pursuant to part 15 of the FCC Rules. These limits are designed to provide reasonable protection against harmful interference in a residential installation. This equipment generates, uses and can radiate radio frequency energy and, if not installed and used in accordance with the instructions, may cause harmful interference to radio communications. However, there is no guarantee that interference will not occur in a particular installation. If this equipment does cause harmful interference to radio or television reception, which can be determined by turning the equipment off and on, the user is encouraged to try to correct the interference by one or more of the following measures:

- Reorient or relocate the receiving antenna.
- Increase the separation between the equipment and receiver.
- Connect the equipment into an outlet on a circuit different from that to which the receiver is connected.
- Consult the dealer or an experienced radio/TV technician for help.

CAN ICES-005 (B)/NMB-005 (B)

### REMOVAL OF FIXTURE

**NOTE:** Make sure power to fixture is disconnected before attempting to remove fixture module from fixture.



#### STEP 1:

To remove fixture, grip firmly on the trim ring and rotate 1/4 turn counterclockwise to unlock clips from recessed can.

#### STEP 2:

Continue to turn counterclockwise while pulling downward on the fixture. This will disengage the clips allowing the fixture to pull free.

#### STEP 3:

Detach fixture from recessed housing socket.

**NOTE:** This device is not intended for use with emergency exit fixtures or emergency exit lights.